

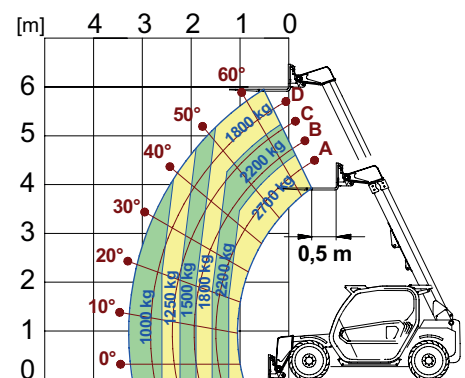
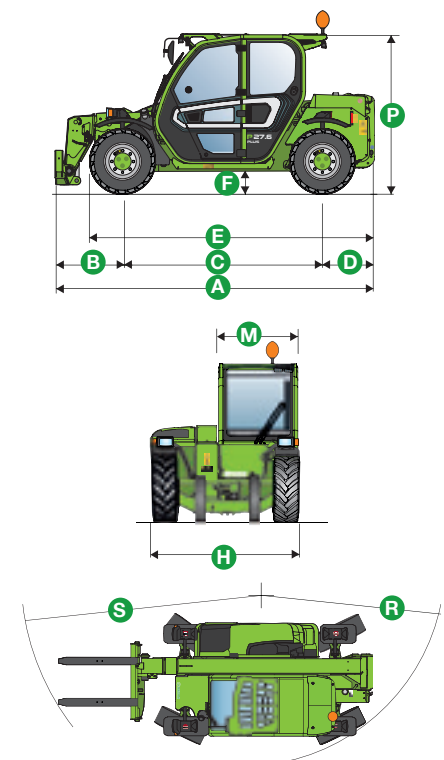
Technical information

The Merlo P27.6 compact handler is a high-profile professional system which completes the extensive range of Merlo equipment, offering high levels of performance even in confined spaces. It's not a small handler - it's a big handler in a compact package.

PERFORMANCE AND FEATURES	P27.6	P27.6 PLUS	P27.6 TOP
Total unladen mass, with forks (kg)	4850	4850	4850
Maximum capacity (kg)	2700	2700	2700
Lifting height (m)	5,9	5,9	5,9
Maximum reach (m)	3,3	3,3	3,3
Maximum operating height (m)	4,6	4,6	4,6
Maximum operating reach (m)	1,2	1,2	1,2
Capacity at maximum height (kg)	1800	1800	1800
Capacity at maximum reach (kg)	1000	1000	1000
Engine (displacement/cylinders)	2.6/4	3.3/4	3.3/4
Tier 4 Interim engine power (kW/HP)	36,5/50*	54,6/74,3	54,6/74,3
Maximum speed (km/h)	25	40	40
BSS hydro-pneumatic boom suspension	○	○	○
Fuel tank (l)	70	70	70
Hydraulic gear pump (bar-l/min)	210/75	210/94	210/94
Hydraulic oil tank (l)	70	70	70
FOPS (ISO 3449) and ROPS (ISO 3471) cab	●	●	●
Electro-mechanical joystick command on/off	●	●	●
Tac-Lock attachment locking	●	●	●
Hydrostatic transmission	●	●	●
Finger-Touch	●	●	●
Pedal-operated inching control	●	●	●
Permanent four-wheel drive	●	●	●
Four-wheel steering	●	●	●
Standard tyres	12-16.5"	12-16.5"	12-16.5"
Type approval as an agricultural tractor	○	○	○
Towing capacity (kg)	-	3100	4000

*Tier 3. ● As standard. ○ On request.

P27.6 DIMENSIONS			
A (mm)	3910	H (mm)	1840
B (mm)	820	M (mm)	1010
C (mm)	2450	P (mm)	1950
D (mm)	640	R (mm)	3370
E (mm)	3495	S (mm)	4200
F (mm)	270		



EN 1459/B